



# 2026 PRODUCT CATALOG



# INDEX

HYDRAULIC STEERING SYSTEM      page 1 to 11

OUTBOARD JACK PLATE      page 12 to 17

POWER TRIM ASSEMBLY      page 18 to 23

## HYDRAULIC STEERING SERIES

### OUTBOARD HYDRAULIC STEERING



## ARH0090

APPLICATION RANGE:  
**90 HP**

- WP 16NVF Helm Pump
- ARH0090 Cylinder
- WL 04-SS-08 Hydraulic Hose
- Accessories Included

### CYLINDER SPECIFICATION

Volume	71 cc - 4.35 cu
Output Force	232 kg - 511 lbs
Tube I.D	25 mm - 0.98"
Piston I.D	14 mm - 0.55"
Stroke	213 mm - 8.39"
5/16" (8mm) Fittings	For high pressure flex hose

## HYDRAULIC STEERING SERIES

### OUTBOARD HYDRAULIC STEERING



## ARH0300

APPLICATION RANGE:  
**150 HP**

- Helm Pump: WP 22F or WP 27F or WP33 or WP 39
- ARH0300 Cylinder
- WL 06-SS-08 Hydraulic Hose
- Accessories Included

### CYLINDER SPECIFICATION

Volume	116.9 cc - 7.16 cu
Output Force	409 kg - 902 lbs
Tube I.D	31.8 mm - 1.25"
Piston I.D	16 mm - 0.63"
Stroke	197.3 mm - 7.77"
5/16" (8mm) Fittings	For high pressure flex hose

## HYDRAULIC STEERING SERIES

### OUTBOARD HYDRAULIC STEERING



## ARH0350V1

APPLICATION RANGE:  
**300 HP**

- Helm Pump: WP 22F or WP 27F or WP33 or WP 39
- ARH0350V1 Cylinder
- WL 08-SS-08 Hydraulic Hose
- Accessories Included

### CYLINDER SPECIFICATION

Volume	141.1 cc - 8.61 cu
Output Force	468 kg - 1032 lbs
Tube I.D	35 mm - 1.38"
Piston I.D	18 mm - 0.71"
Stroke	214 mm - 8.43"
3/8" (9.5mm) Fittings	For high pressure flex hose

## HYDRAULIC STEERING SERIES

### OUTBOARD HYDRAULIC STEERING



## ARH0350V2 APPLICATION RANGE: 300 HP

- Helm Pump: WP 22F or WP 27F or WP33 or WP 39
- ARH0350V2 Cylinder
- WL 08-SS-08 Hydraulic Hose
- Accessories Included

### CYLINDER SPECIFICATION

Volume	141.1 cc - 8.61 cu
Output Force	468 kg - 1032 lbs
Tube I.D	35 mm - 1.38"
Piston I.D	18 mm - 0.71"
Stroke	214 mm - 8.43"
3/8" (9.5mm) Fittings	For high pressure flex hose

# HYDRAULIC STEERING SERIES

## OUTBOARD HYDRAULIC STEERING



### ARH0350V3

APPLICATION RANGE:  
**300 HP**

- Helm Pump: WP 22F or WP 27F or WP33 or WP 39
- ARH0350V3 Cylinder
- WL 08-SS-08 Hydraulic Hose
- Accessories Included

#### CYLINDER SPECIFICATION

Volume	141.1 cc - 8.61 cu
Output Force	468 kg - 1032 lbs
Tube I.D	35 mm - 1.38"
Piston I.D	18 mm - 0.71"
Stroke	214 mm - 8.43"
3/8" (9.5mm) Fittings	For high pressure flex hose

## HYDRAULIC STEERING SERIES

### OUTBOARD HYDRAULIC STEERING



## ARH0700

APPLICATION RANGE:  
**700 HP**

- Helm Pump: WP 22F or WP 27F or WP33 or WP 39
- ARH0700 Cylinder
- WL 08-SS-08 Hydraulic Hose
- Accessories Included

### CYLINDER SPECIFICATION

Volume	174 cc - 10.62 cu
Output Force	453 kg - 999 lbs
Tube I.D	37 mm - 1.46"
Piston I.D	22 mm - 0.87"
Stroke	203 mm - 7.99"
3/8" (9.5mm) Fittings	For high pressure flex hose

## HYDRAULIC STEERING SERIES

### OUTBOARD HYDRAULIC STEERING



## ARHIN01

APPLICABLE VESSEL SIZE:  
**11 M**

- Helm Pump: WP 22F or WP 27F or WP33 or WP 39
- ARHIN01 Cylinder
- WL 08-SS-08 Hydraulic Hose
- Accessories Included

### CYLINDER SPECIFICATION

Volume	136 cc - 9.98 cu
Output Force	474 kg - 1045 lbs
Tube I.D	32 mm - 1.25"
Piston I.D	16 mm - 0.63"
Stroke	178 mm - 7.00"
5/16" (8mm) Fittings	For high pressure flex hose

## HYDRAULIC STEERING SERIES

### STERN DRIVE HYDRAULIC STEERING



## ARHSD01

- Helm Pump: WP 22F or WP 27F or WP33 or WP 39
- ARHSD01 Cylinder
- WL 06-SS-08 Hydraulic Hose
- Accessories Included

### CYLINDER SPECIFICATION

Volume	119 cc - 7.26 cu
Output Force	409 kg - 902 lbs
Tube I.D	32 mm - 1.25"
Piston I.D	12 mm - 0.47"
Stroke	198 mm - 7.80"
5/16" (8mm) Fittings	For high pressure flex hose

# HYDRAULIC STEERING SERIES

## OUTBOARD HYDRAULIC STEERING



### ARH0600

APPLICABLE VESSEL SIZE:  
**27 M**

- WP 45F OR WP 45-88F Helm Pump
- ARH0600 CYLINDER
- WL 08-SS-08 Hydraulic Hose
- Accessories Included

#### CYLINDER SPECIFICATION

Volume	419 cc - 25.67 cu
Output Force	924 kg - 2037 lbs
Tube I.D	60 mm - 2.36"
Piston I.D	35 mm - 1.38"
Stroke	325 mm - 12.80"
5/16" (8mm) Fittings	For high pressure flex hose

## HYDRAULIC STEERING SERIES

### INBOARD HYDRAULIC STEERING



## ARH0450

APPLICABLE VESSEL SIZE:  
**15 M**

- Helm Pump: WP 22F or WP 27F or WP33 or WP 39
- ARH0450 Cylinder
- WL 08-SS-08 Hydraulic Hose
- Accessories Included

### CYLINDER SPECIFICATION

Volume	180 cc - 11.03 cu
Output Force	547 kg - 1206 lbs
Tube I.D	45 mm - 1.77"
Piston I.D	22 mm - 0.87"
Stroke	180 mm - 7.09"
3/8" (9.5mm) Fittings	For high pressure flex hose

## HYDRAULIC STEERING SERIES

### HYDRAULIC STEERING COMPONENTS



#### TILT PUMP

- This regulator enables free adjustment of gears, with the total adjustable angle reaching 40.5°
- Replaceable:  
WP 22F or WP 27F or WP33 or WP39

**LOCK VALVE:** Ensure rudder is stable and free of offset

**RELIEF VALVE:** Prevent hydraulic system overload

**ARI POCKET:** Avoid oil expansion and overflow

SYSTEM MODEL	DISPLACEMENT		LOCK VALVE
	CC/REV	CU.IN/REV	
WP 18F	18	1.09	BUILT-IN
WP 22F	22	1.34	
WP 27F	27	1.66	
WP 45F	45	2.74	

## JPH1500 OUTBOARD JACK PLATES

- Zero Leakage
- With Manual Release Valve
- Lifting Stroke: 17 cm (6.69")



### Compatible Brands (10Hp-150Hp)

·Mercury, Yamaha, Suzuki, Honda, Parsun, Hidea, Canglong, Hangkai, and all other global brand models.

### Color Options

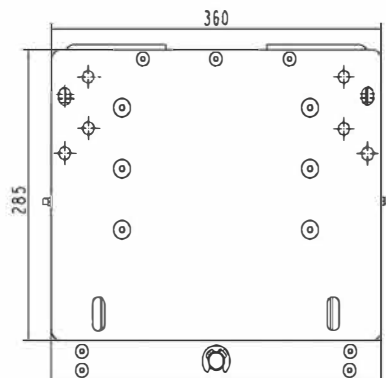
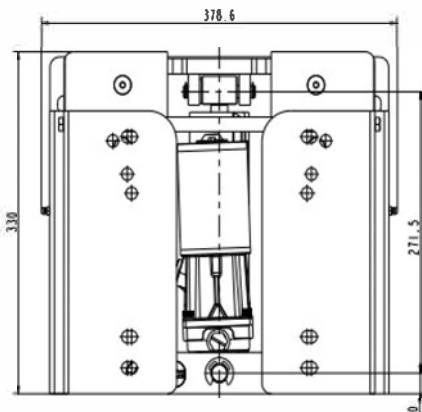


Natural Silver



Mercury Black

### Dimensions



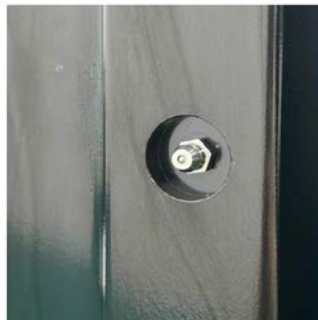
### Product Details



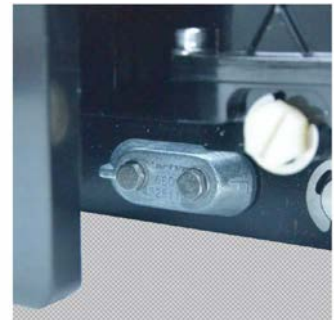
All Plates:  
15 mm (0.59") Thick



12 mm (0.47")  
Pre-drilled Hole



Lubrication  
Grease Nipple



Anti-Corrosion  
Anode Block

## JPH3000 OUTBOARD JACK PLATES

- Zero Leakage
- With Manual Release Valve
- Lifting Stroke:  
170 mm (6.69")



### Compatible Brands (150Hp-300Hp)

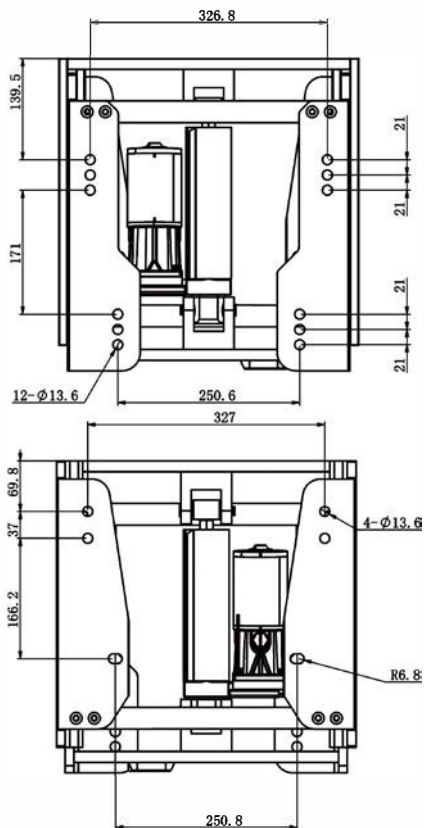
·Mercury, Yamaha, Suzuki,  
Honda, Parsun, Hidea,  
Canglong, Hangkai, and all  
other global brand models.

### Color Options



Mercury Black

### Dimensions



### Product Details



All Plates:  
15 mm (0.59") Thick



12 mm (0.47")  
Pre-drilled Hole



Anti-Corrosion  
Anode Block



Guide Groove Depth:  
2.8 cm (1.10")

## JPH3500 OUTBOARD JACK PLATES

- Zero Leakage
- With Manual Release Valve
- Lifting Stroke:  
155 mm (6.10")



### Compatible Brands (150Hp-300Hp)

·Mercury, Yamaha, Suzuki, Honda, Parsun, Hidea, Canglong, Hangkai, and all other global brand models.

### Color Options

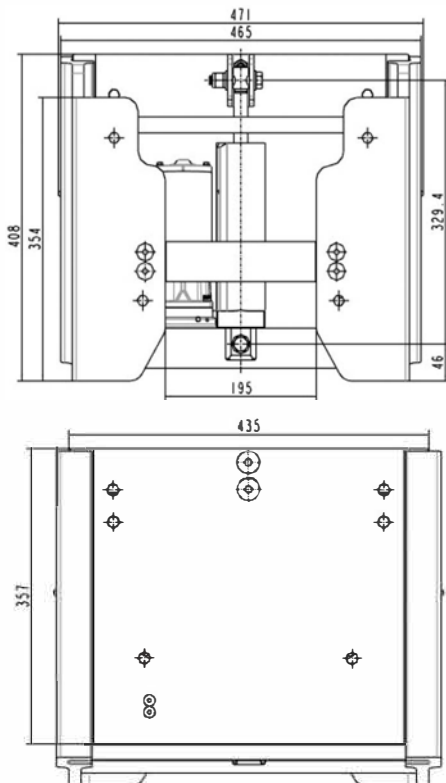


Natural Silver

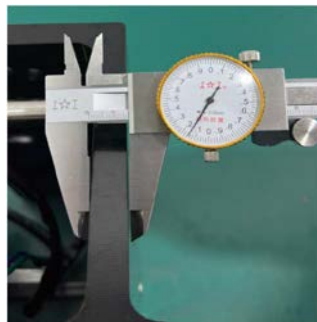


Mercury Black

### Dimensions



### Product Details



All Plates:  
15 mm (0.59") Thick



12 mm (0.47")  
Pre-drilled Hole



Lubrication  
Grease Nipple



Guide Groove Depth:  
2.8 cm (1.10")

## JPH3500K OUTBOARD JACK PLATES

- Zero Leakage
- With Manual Release Valve
- Lifting Stroke:  
15.5 cm (6.10")
- Tilttable Angle: 0° ~ 30°



### Compatible Brands (150Hp-300Hp)

·Mercury, Yamaha, Suzuki,  
Honda, Parsun, Hidea,  
Canglong, Hangkai, and all  
other global brand models.

### Color Options

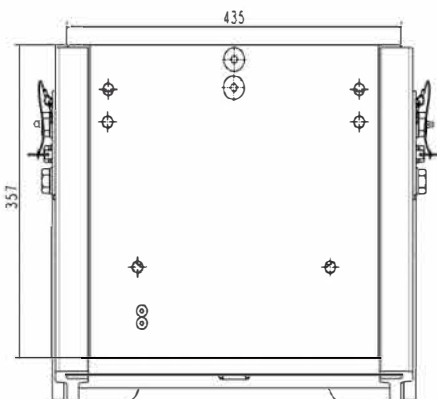
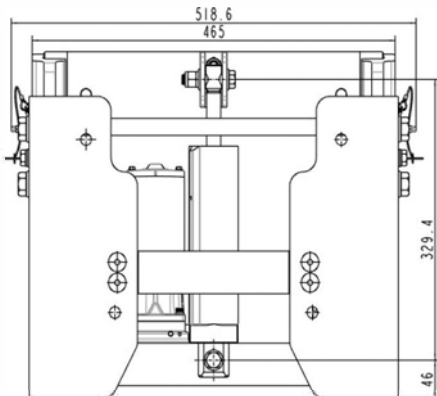


Natural Silver



Mercury Black

### Dimensions



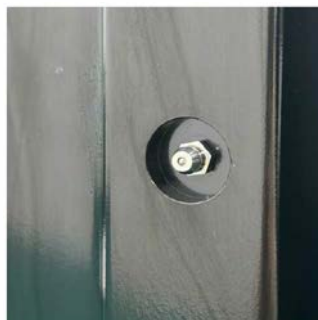
### Product Details



All Plates:  
15 mm (0.59") Thick



14 mm (0.55")  
Pre-drilled Hole



Lubrication  
Grease Nipple



Built-in Safety  
Latch Pin

## JPH6000 OUTBOARD JACK PLATES

- Zero Leakage
- With Manual Release Valve
- Lifting Stroke: 14 cm (5.51")



### Compatible Brands (300Hp-500Hp)

·Mercury, Yamaha, Suzuki, Honda, Parsun, Hidea, Canglong, Hangkai, and all other global brand models.

### Color Options

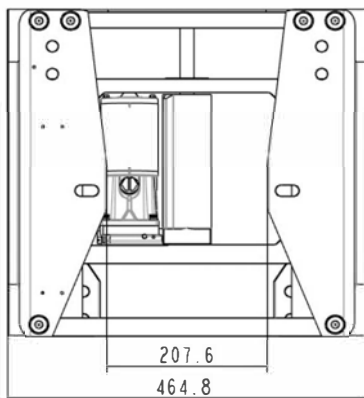
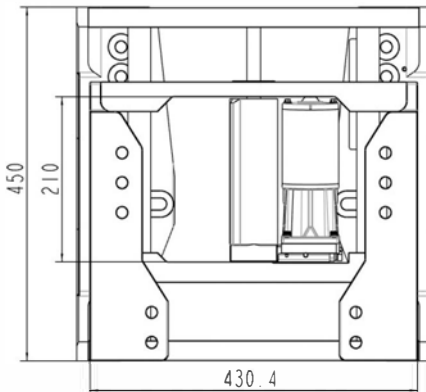


Natural Silver



Mercury Black

### Dimensions



### Product Details



All Plates:  
15 mm (0.59") Thick



16 mm (0.63")  
Pre-drilled Hole



Anti-Corrosion  
Anode Block



Emergency Manual  
Release Valve

## JPM5400/5600/5800 OUTBOARD JACK PLATES



- Manual Lifting
- Heavy-duty Screw
- Lifting Stroke: 12.7 cm (5")

### Compatible Brands (60/150/250)HP

·Mercury, Yamaha, Suzuki,  
Honda, Parsun, Hidea,  
Canglong, Hangkai, and all  
other global brand models.

### Color Options



Clean Anodized

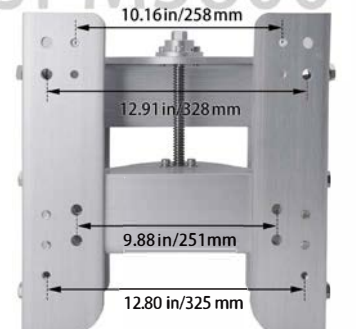
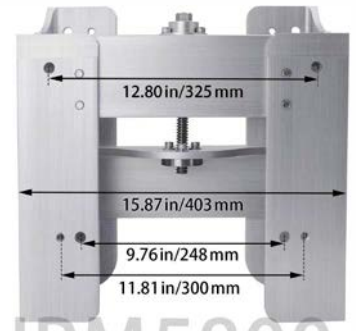
### Product Details



Panel thickness 0.24"/ 6 mm  
(Error within 0.5mm/0.02" is considered normal)



Panel thickness 0.39"/ 10 mm  
(Error within 0.5mm/0.02" is considered normal)



## F2001G ELECTRIC HYDRAULIC POWER TILT & TRIM SET

- Zero Leakage
- With Manual Release Valve
- Anti-Shock Function
- High-Pressure Fine-Tuning Function



### Compatible Brands (10Hp-90Hp)

·Mercury, Yamaha, Suzuki, Honda, Parsun, Hidea, Canglong, Hangkai, and all other global brand models

### Color Options

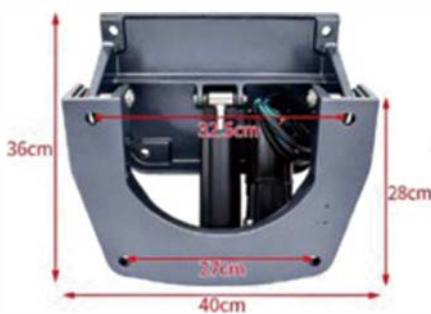


Yamaha Grey



Mercury Black

### Dimensions



### Product Details



20mm (0.79")  
Thickened Opening



16.8mm (0.66")  
Pre-drilled Hole



Electric Hydraulic Trim



Anti-Corrosion  
Anode Block

## F4001A Power Trim Assembly

- Zero Leakage
- With Manual Relief Valve
- Anti-Shock Function
- High-Pressure Fine-Tuning Function



### Compatible Engines

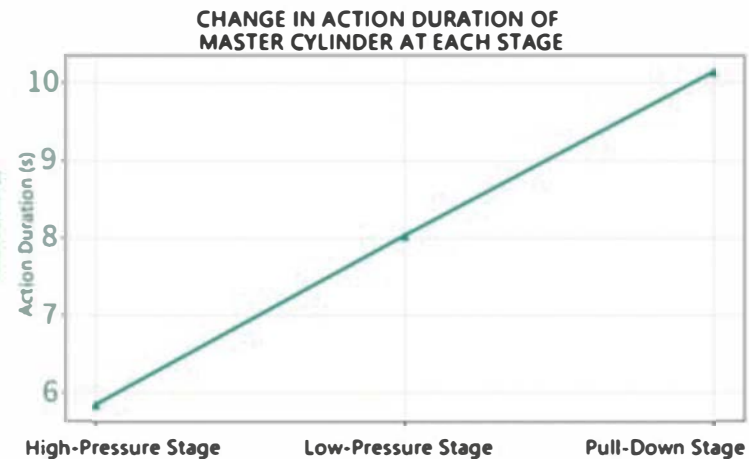
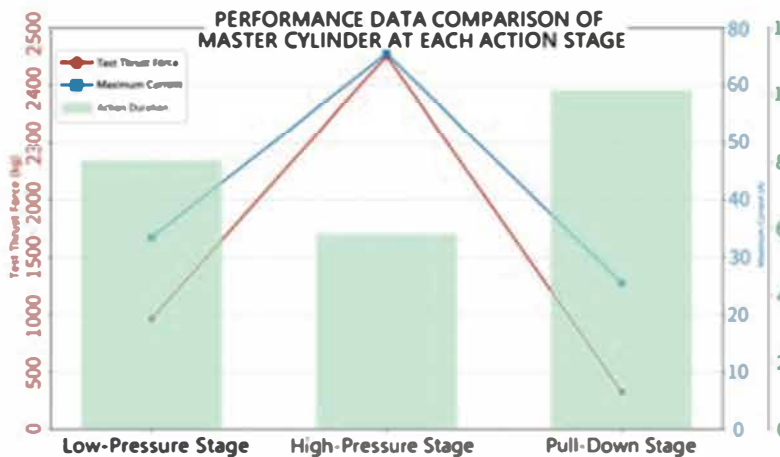
- Yamaha 2-Stroke, 25HP – 40HP
- Yamaha 4-Stroke, 20HP – 45HP
- Yamaha 4-Stroke, 25 – 40HP

### YAMAHA OEM

65W-43800-01-4D/65W-43800-02-4D 65W-43800-03-4D/65W-43800-20-4D  
 65W-43800-03-4D/65W-43800-20-4D 65W-43800-21-4D/65W-43800-22-8D  
 65W-43800-21-4D/65W-43800-22-8D 65W-43800-23-8D/65W-43800-24-8D  
 67C-43800-00-4D/67C-43800-01-4D 67C-43800-01-8D/67C-43800-10-8D  
 67C-43800-11-8D/67C-43800-12-8D 67C-43800-13-8D

### Technical Specifications

<b>Maximum Trim Angle Adjustment Force</b>	2T-2.5T	<b>Manual Release Valve</b>	Yes
<b>Optional Voltage</b>	12V/24V	<b>Anti-Shock Protection Function</b>	Yes
<b>Ingress Protection Rating</b>	IP67	<b>Anti-Beaching Protection Function</b>	Yes



## F6001A Power Trim Assembly

- Zero Leakage
- With Manual Relief Valve
- Anti-Shock Function
- High-Pressure Fine-Tuning Function



### Compatible Engines

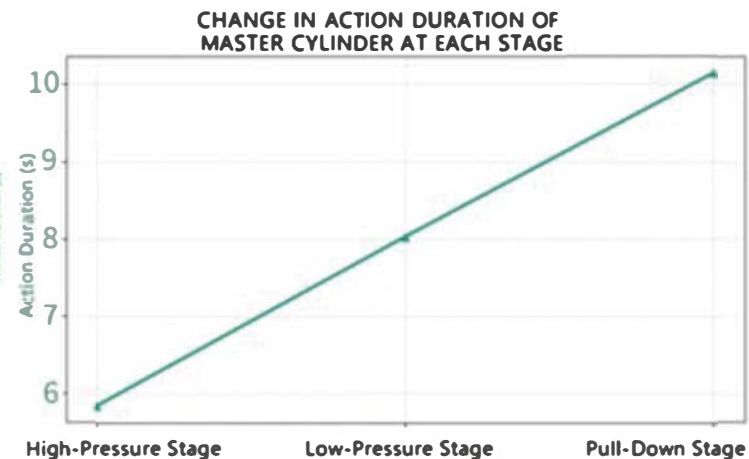
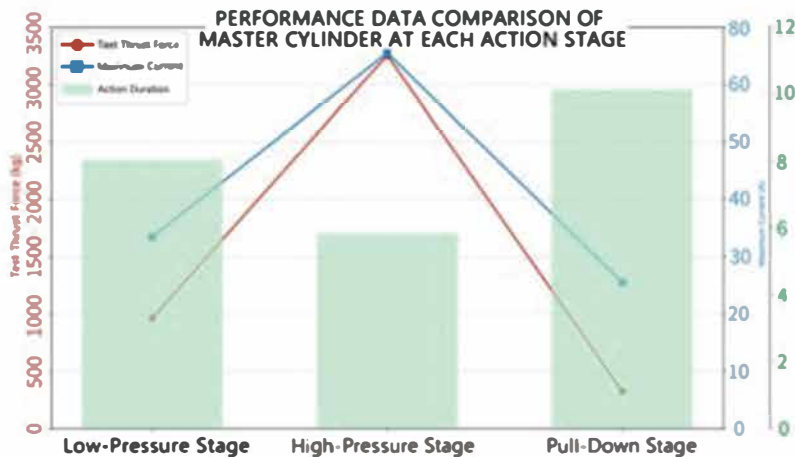
- Mercury 4-Stroke, 35HP – 60HP
- Mercury 4-Stroke, 30HP
- Mercury 2-Stroke, 55HP – 60HP

### MERCURY OEM

- 855654T4/8M0055011
- 893517T01/8M0055011
- 855654T08/855654T09/8M0055011

### Technical Specifications

<b>Maximum Trim Angle Adjustment Force</b>	3T-3.5T	<b>Manual Release Valve</b>	Yes
<b>Optional Voltage</b>	12V/24V	<b>Anti-Shock Protection Function</b>	Yes
<b>Ingress Protection Rating</b>	IP67	<b>Anti-Beaching Protection Function</b>	Yes



## F6001B Power Trim Assembly

- Zero Leakage
- With Manual Relief Valve
- Anti-Shock Function
- High-Pressure Fine-Tuning Function



### Compatible Engines

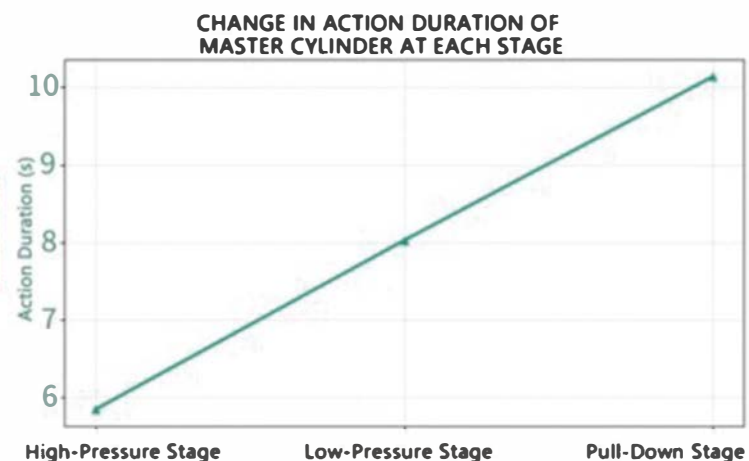
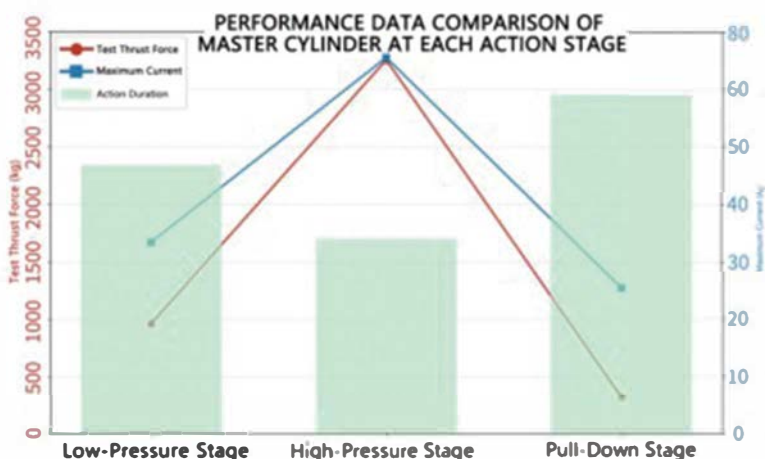
- Yamaha 4-Stroke, 40HP – 60HP
- Yamaha 4-Stroke, 60HP – 70HP
- Yamaha 4-Stroke, 60HP

### YAMAHA OEM

6C5-43800-00-4D/6C5-43800-01-4D 6C5-43800-10-8D/6C5-43800-11  
6C5-43800-01-8D/6C5-43800-04-4D 6C5-43800-12/69W-43800-00-4D  
69W-43800-00-8D/69W-43800-10-8D  
6CJ-43800-00-8D/6CJ-43800-10-8D 6CJ-43800-11-8D/6CJ-43800-12-8D  
6CJ-43800-13-8D  
6C5-43800-13

### Technical Specifications

<b>Maximum Trim Angle Adjustment Force</b>	3T-3.5T	<b>Manual Release Valve</b>	Yes
<b>Optional Voltage</b>	12V/24V	<b>Anti-Shock Protection Function</b>	Yes
<b>Ingress Protection Rating</b>	IP67	<b>Anti-Beaching Protection Function</b>	Yes



## F6001C Power Trim Assembly

- Zero Leakage
- With Manual Relief Valve
- Anti-Shock Function
- High-Pressure Fine-Tuning Function



### Compatible Engines

•Mercury 4-Stroke, 40HP – 60HP

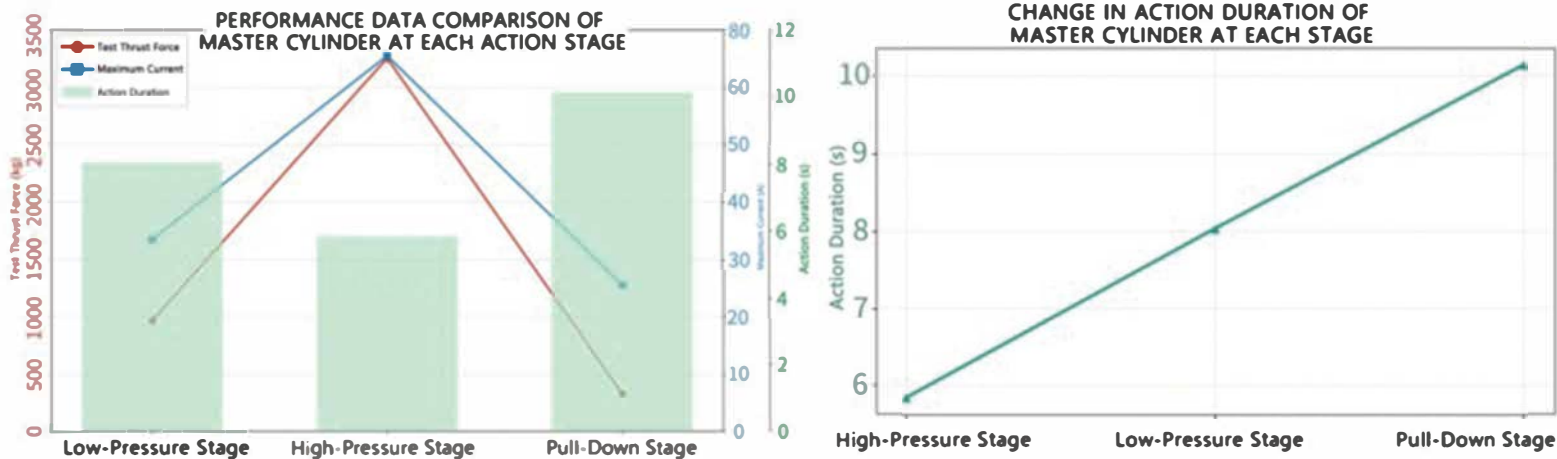
### MERCURY OEM

8M0090335 / 8M0171818 (New Version)

898447T1 / 830250T5 (Old Version)

### Technical Specifications

<b>Maximum Trim Angle Adjustment Force</b>	3T-3.5T	<b>Manual Release Valve</b>	Yes
<b>Optional Voltage</b>	12V/24V	<b>Anti-Shock Protection Function</b>	Yes
<b>Ingress Protection Rating</b>	IP67	<b>Anti-Beaching Protection Function</b>	Yes



## F11501A Power Trim Assembly

- Zero Leakage
- With Manual Relief Valve
- Anti-Shock Function
- High-Pressure Fine-Tuning Function

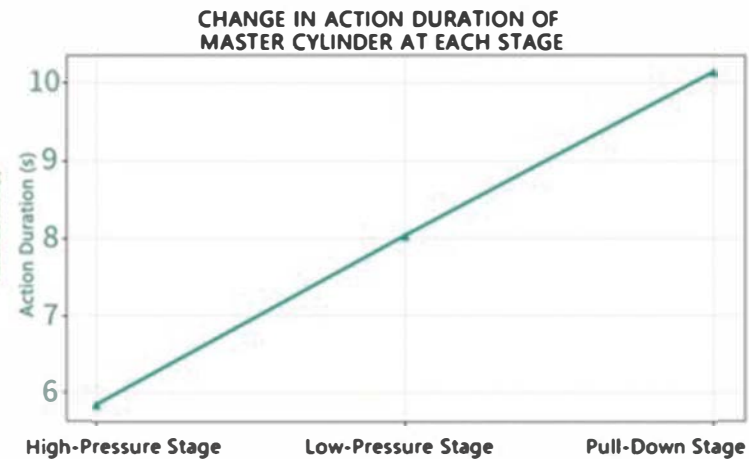
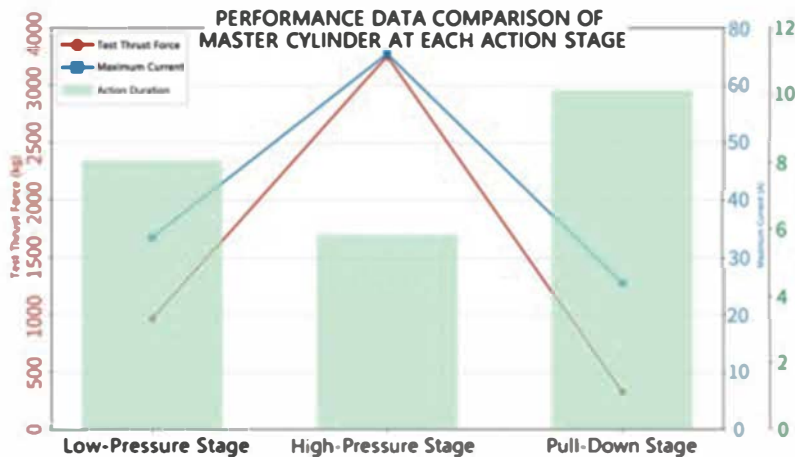


### Compatible Engines **MERCURY OEM**

- Mercury 4-Stroke, 75HP – 115HP 898447T1 / 830250T5 (Old Version)
- Mercury 4-Stroke, 75HP – 125HP 8M0090335 / 8M0171818 (Old Version)

### Technical Specifications

<b>Maximum Trim Angle Adjustment Force</b>	3. 5T-4T	<b>Manual Release Valve</b>	Yes
<b>Optional Voltage</b>	12V/24V	<b>Anti-Shock Protection Function</b>	Yes
<b>Ingress Protection Rating</b>	IP67	<b>Anti-Beaching Protection Function</b>	Yes



# ENGINEERED FOR THE SEA



+1-502-228-8881

[www.apexrisemarine.com](http://www.apexrisemarine.com)

[ahoy@ApexRiseMarine.com](mailto:ahoy@ApexRiseMarine.com)

